

MLT4200IV

MOBILE LIGHT TOWER

GENERAC® | **MOBILE**

SPECIFICATIONS

ENGINE SYSTEM

- Isuzu® 4LE2TAGV08
- Diesel fueled
- EPA Tier 4 Final
- 4 cylinder
- 2.2 L displacement
- Power @ 1,800 rpm:
 - Prime: 36.2 (27.0)
 - Standby: 40.2 (30.0)
- Air filter: Dry type cartridge

Fuel System

- Polyethylene tank
- Tank usable capacity: 51.4 US gal (194.5L)
- Fuel consumption
 - 100% Load: 2.10 gph (7.8 Lph)*
- Exterior Fill port diameter: 3.5 in (89 mm)
- Fuel Filter with replaceable element

Cooling System

- Liquid cooled

Lubrication System

- Oil filter: Full flow, spin-on type
- 500-hr service interval*

GENERATOR

- 60 Hz engine/generator
- Marathon Electric® brush-less
- Up to 20 kW output (standby)
- 120/240 VAC, 167/83A
- ± 1% automatic voltage regulation (electronic) 60 Hz

CONTROLS

- Deep Sea® L401 Advanced Controller
- Designed specifically for mobile lighting applications
- Dusk-to-dawn programming based on location
- Seven-day scheduler automatically starts and stops the unit each day
- Programmable service reminders for custom alerts
- Comprehensive warnings protect the operator and equipment
- Event history to monitor fleet
- Large, easy-to-read, back-lit color display
- Heated display with ability to operate in cold weather
- IP65 water ingress rating



Picture shown may not reflect actual configuration.

**Data based on engine manufacturer and field test data after 50-hr engine break-in period. Actual results may vary, according to factors such as age and maintenance of equipment, environmental conditions, and fuel density. For fuel and maintenance recommendations, see owner's manual.*

MLT4200IV

MOBILE LIGHT TOWER

GENERAC® | **MOBILE**

FLOODLIGHTS

- Four 320W LED (G5) luminaires
 - Lm/fixture: 47,000
 - Total lm: 188,000
- Efficiency: 147 LPW
- Coverage at 0.5 ft-c: 24,060 ft² (2,235 m²)
- Aluminum and polymer housing
- IP68 LED modules; IP65 rated drivers
- Fixture-mounted drivers
- Friction disc mounting for tool-free positioning

ELECTRICAL SYSTEM

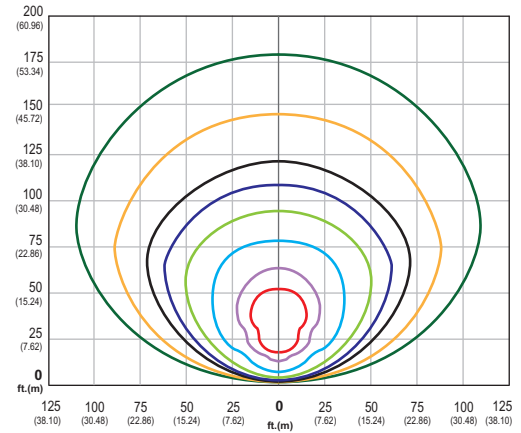
- 100A start limit breaker (ensures no-load condition exists at start-up)
- Individual floodlight circuits with 5A breakers
- Convenience receptacles with individual breakers:
 - Two 120 VAC, 20A, GFCI, duplex outlets (NEMA 5-20R)
 - Two 240 VAC, 30A, twistlock outlets (NEMA L14-30)
 - Two 240 VAC, 50A, twistlock outlets (Leviton 6369)
- 720 CCA wet cell battery

MAST

- Vertical operation and storage
- Five tubular steel sections with polymer guides
- Winch: Electric, self-braking
- Distinctive angled fixture mount for common light
- 359° rotation, lockable and adjustable from ground with mast fully extended
- Industrial-black powder-coat
- Self-retracting, coiled mast cord
- Winch guard

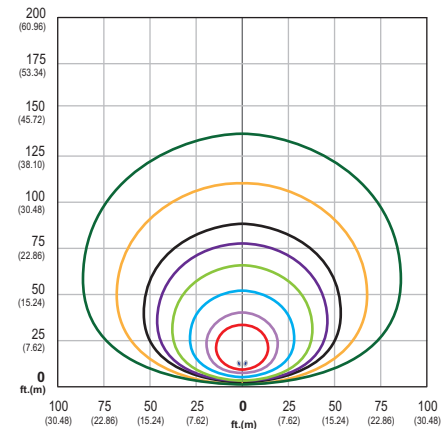
ENCLOSURE

- Heavy-duty, 14-gauge steel
- Stainless steel hinges on doors
- UV & fade resistant, high temperature cured, white polyester powder paint
- Sound rating: 68 dB (A) at 23 ft (7 m) @ prime power
- Lifting point and fork pockets
- Multi-lingual operating and safety decals
- Illuminated license plate holder
- Document holder with owner's manual – includes AC and DC wiring diagrams



Standard Configuration
70 Degree Tilt

0.5 FC CL Fwd Distance (Reach ft/m) 167/51
0.5 FC Max Width (Spread ft/m) 219/67



Diffuser Equipped
70 Degree Tilt

0.5 FC CL Fwd Distance (Reach ft/m) 125/38
0.5 FC Max Width (Spread ft/m) 171/52

MLT4200IV

MOBILE LIGHT TOWER

GENERAC® | **MOBILE**

TRAILER

- Tubular steel frame
- Removable tongue - 48 in (1.2 m) length
- 2 in (50 mm) ball hitch
- Four 2,000 lb (907 kg) leveling jacks - lockable into stowed positions
- Side outriggers
- 7,800 lb (3,538 kg) safety chains with spring loaded safety hooks
- DOT approved LED lights: Tail, side, brake, and directionals
- 3,000 lb (1,361 kg) leaf spring axle
- Single wall polyethylene fenders
- Tires: P205/75R15
- Front step platform for easy adjustment of light fixtures

COLD-WEATHER OPTIONS

- 60/40 coolant
- Coolant heater
- OVR heater blanket
- Heated fuel filter
- 720CCA AGM sealed battery
- Liquid containment

OTHER OPTIONS*

- Various trailer hitch types
- Flat 4 to round 7 spade
- Positive air shutoff (PAS)
- Ground rod
- 5 lb (2.3 kg) fire extinguisher
- Battery charger - 10A, 3-Stage
- Battery disconnect

AMBIENT CLIMATE RATINGS

- Wind rating: 65 mph (105 km/h)
- Air temperature ratings**
 - Standard units: 0° F to 120° F (-18° C to 49° C)
 - Units equipped with cold-weather options: -18° F to 120° F (-28° C to 49° C)

WEIGHT

- Dry: 2,184 lb (991 kg)
- Operating: 2,499 lb (1,134 kg)

WARRANTY

- Tower: 1 year, unlimited hours/2 years, 2,000 hours
- LED modules and drivers: 5 year limited warranty

CERTIFICATIONS

- CSA certified

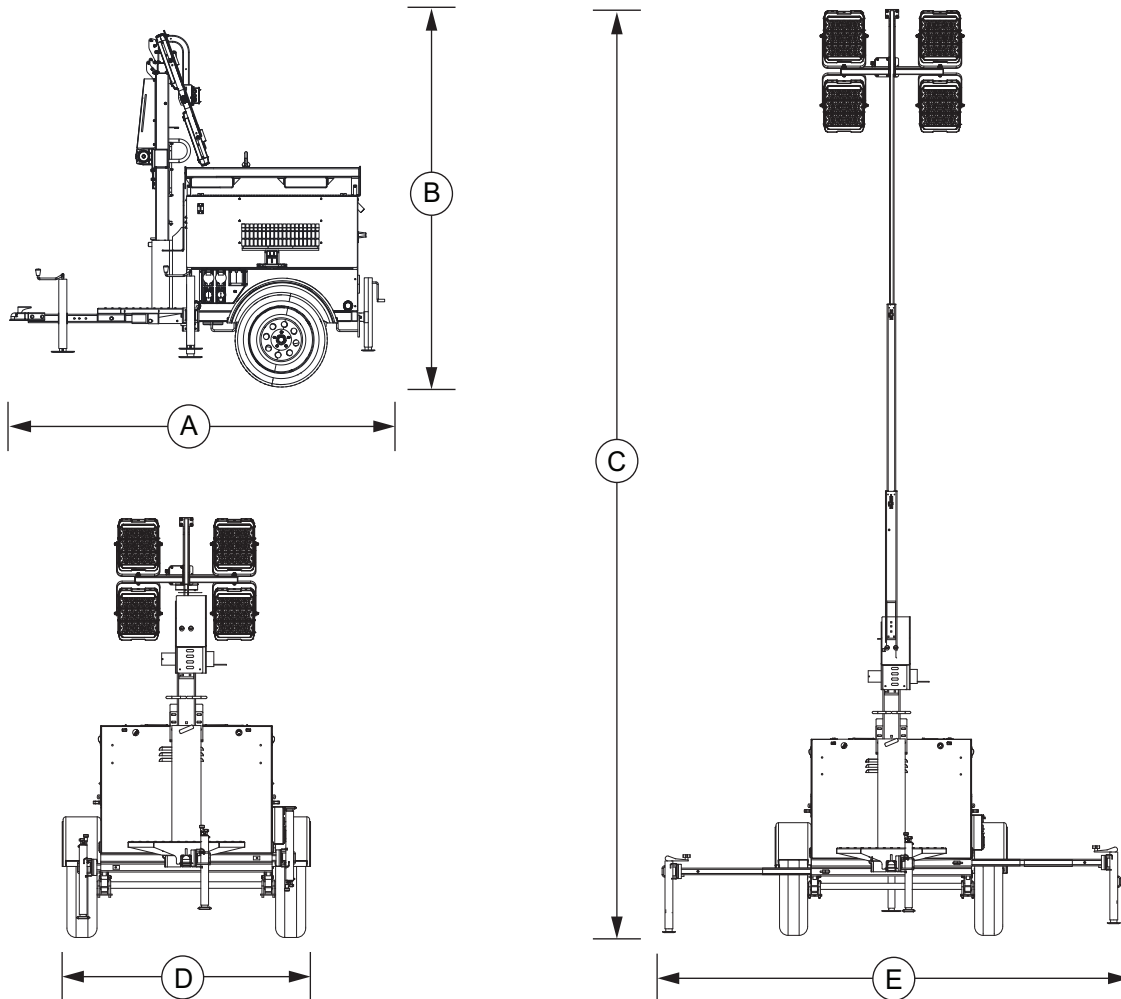
**Additional options may be available. Please contact a sales representative or the factory for current options*

***Environmental factors such as altitude, humidity, and engine fuel rating can impact temperature tolerance.*

MLT4200IV

MOBILE LIGHT TOWER

DIMENSIONS



A	B	C	D	E
115 in (2.92 m)	102 in (2.59 m)	23.3 ft (7.11 m)	68 in (1.73 m)	140 in (3.56 m)

* All measurements are approximate and for estimation purposes only.

YOUR FACTORY RECOGNIZED GENERAC MOBILE DEALER

Specification characteristics may change without notice. Dimensions and weights are for preliminary purposes only. Please consult a Generac Mobile Authorized Service Dealer for detailed installation drawings.