

ENGINE SYSTEM

- Kubota® Z482-E4
- Diesel fueled
- EPA Tier 4 Final
- 2 cylinder
- 0.479 L displacement
- Power @ 1,800 rpm: 4.6 hp (3.4 kW) per SAE J1349
- Air filter: Dry type cartridge

Fuel System

- Tank usable capacity: 39.9 US gal (151 L)
- Run time - hr:

	<u>Standard</u>	<u>Export Power Option</u>
Lights Only	206*	206*
100% Load	N/A	144*

- Fuel consumption - gph (Lph):

	<u>Standard</u>	<u>Export Power Option</u>
Lights Only	0.19 (0.72)*	0.19 (0.72)
100% Load	N/A	0.28 (1.06)

Cooling System

- Liquid cooled

Lubrication System

- Oil filter: Full flow, spin-on type
- 1,000-hr service interval**†

*Data based on engine manufacturer and field test data after 50-hr engine break-in period. Actual results may vary, according to factors such as age and maintenance of equipment, environmental conditions, and fuel density. For fuel and maintenance recommendations, see owner's manual. † Air and fuel filter vary, according to environmental factors.

GENERATOR

- 60 Hz
- Marathon Electric ® brushless

SYSTEM

	<u>Standard</u>	<u>Export Power Option</u>
• System rating - kW:	1.4	2.6
• Receptacle rating:	N/A	20 A / 120 V

CONTROLS

- Illuminated control panel with sealed switches
- Key-activated switch with 4 positions (OFF, RUN, GLOW, CRANK)
- Digital hour meter
- Automatic shutdown for low oil pressure and high coolant temperature
- One switch controls all light fixtures



FLOODLIGHTS

- Four 320 W LED (G5) luminaires
- Aluminum and polymer housing
- Efficiency: 155 LPW
- Lm/fixture: 49,600
- Total lm: 198,400
- Coverage at 0.5 ft-c: 30,200 ft² (2,789 m²)
- IP68 LED modules; IP65 rated drivers
- Fixture-mounted drivers

ELECTRICAL SYSTEM

- Start trip breaker (ensures no-load condition exists at start-up)
- Light circuits with sealed breakers
- Wiring is sized and fused to required amperage draw
- 440 CCA wet cell battery

MAST

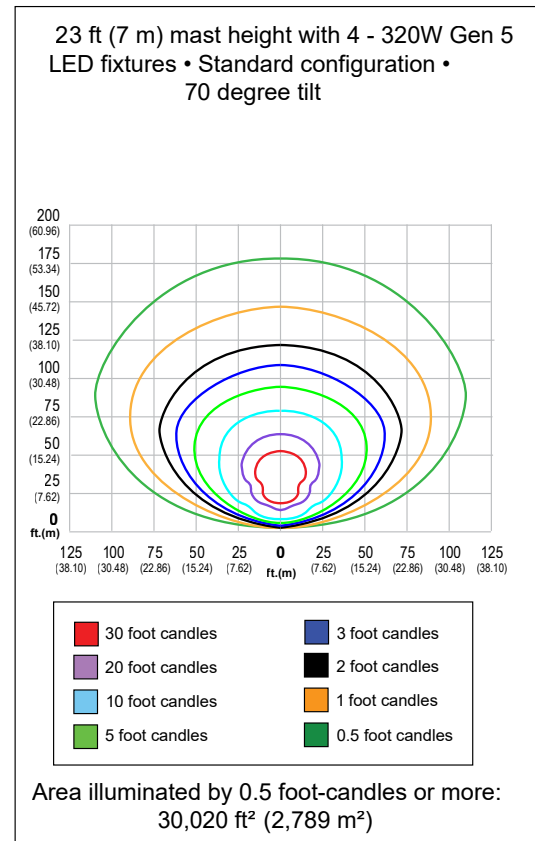
- Vertical operation and storage
- Four tubular steel sections with polymer guides
- Winch: Dual handle, manual crank, self-braking
- Distinctive angled fixture mount for common light
- 359° rotation, lockable and adjustable from ground with mast fully extended
- Industrial-black powder-coat
- Self-retracting, coiled mast cord

ENCLOSURE

- Hood:
 - Injection-molded with UV protected colorant
 - Flip-up design for ease of service
- Sound rating: 64 dB(A) at 23 ft (7 m) - lights only
- Center lifting point and fork pockets
- Multi-lingual operating and safety decals
- Illuminated license plate holder
- Document holder with owner's manual – includes AC and DC wiring diagrams

TRAILER

- Tubular steel frame
- 2 in (50.8 mm) ball hitch
- Three 1,200 lb (544 kg) tube-and-sleeve leveling jacks - lockable into stowed positions
- Side outriggers
- 7,800 lb (3,538 kg) safety chains with spring loaded safety hooks
- Removable and foldable tongue - 48 in (121.9 cm) long
- DOT approved LED lights: Tail, side, brake, and directionals
- 2,200 lb (998 kg) leaf spring axle
- Tires: ST175/80D13

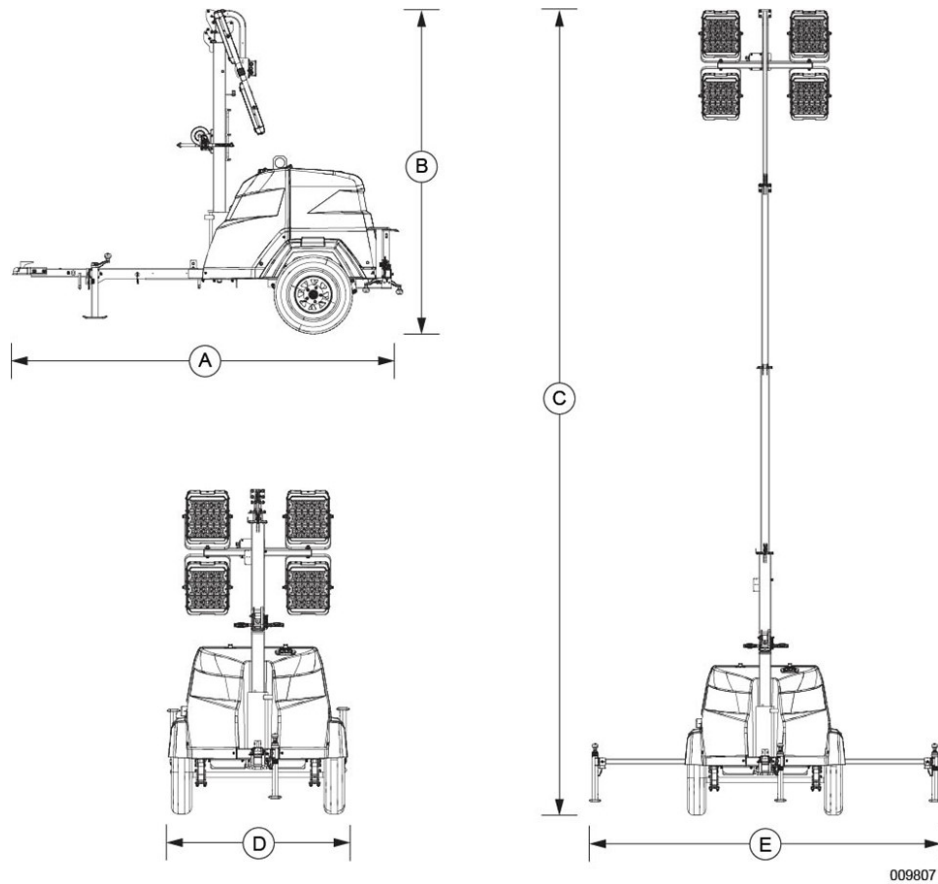


Scale = 250ft x 200ft (76m x 61m)

OPTIONS

- Autolight Digital Controller
- Electric winch
- Winch Cover (cable cover is standard)
- Positive Air Shutdown
- 2.4 kW export power - 20 A × 120 V Duplex
- Import/Utility Power (120V, 5-15P)
- Containment (oil and coolant)
- Tandem tow
- Battery charger
- Battery disconnect
- Coolant Heater
- Fuel Filter Heater
- 60/40 Coolant
- Diffused LED Lens (4)
- Diffused LED Lens Storage
- Flat 4 to 7 Round Trailer Connect
- Spark Arrestor
- Telemetry
- Fire Extinguisher
- Ground Rod Kit

DIMENSIONS



A	B	C	D	E
118 in (3 m)	101 in (2.6 m)	23 ft (7 m)	57 in (1.45 m)	10 ft (3.05 m)

* All measurements are approximate and for estimation purposes only.

WEIGHT

	<u>Export Power Option</u>	<u>Non-Export Option</u>
• Dry:	1,170 lb (531 kg)	1,114 lb (501 kg)
• Operating	1,445 lb (655 kg)	1,389 lb (630 kg)

AMBIENT CLIMATE RATINGS

- Wind rating: 65 mph (105 km/h)
- Air temperature ratings:
 - Standard units: 0 °F to 120 °F (-18 °C to 49 °C)
 - Units equipped with cold-weather options: -20 °F to 120 °F (-29 °C to 49 °C)

WARRANTY

- Tower:
 - 1 year, unlimited hours
 - 2 years, 2,000 hours
- LED modules and drivers: 5 year limited warranty

CERTIFICATIONS

- Tier 4 Final
- CSA certified

FOR MORE INFORMATION

Owner's manual is available at www.generacmobileproducts.com/service-support/manuals.

YOUR FACTORY RECOGNIZED GENERAC MOBILE DEALER

Specification characteristics may change without notice. Dimensions and weights are for preliminary purposes only. Please consult a Generac Mobile Authorized Service Dealer for detailed installation drawings.